

# Data Sheet: SNU



- › SNU 5 AU
- › SNU 10 AU



- › Made in Germany
- › Compact design
- › Easy under sink installation
- › Ideal for a single point of use sink, minimises dead legs
- › Rotary dial temperature selection up to 85°C
- › Must be used with specialised STIEBEL ELTRON open vented sink mixer



# SNU

## OPEN VENTED COMPACT STORAGE WATER HEATER

Made in Germany the STIEBEL ELTRON SNU 5 and SNU 10 under sink open vented water heaters deliver hot water quickly to a single sink. These point of use water heaters eliminate long runs of pipework for isolated sinks and reduce the waiting time for hot water to arrive at the outlet.



SNU

Model	PLUS	
	SNU 5	SNU 10
	<b>229467</b>	<b>229468</b>
Tank capacity	L 5	10
Rated output (240 V)	kW 2.2	2.2
Rated current (240 V)	A 9.1	9.1
Connection	1/N/PE	1/N/PE
Fuse protection	A 10	10
Electrical installation	As per AS/NZS3000	
Installation requirements	AS/NZS3500.4.2 & local requirements	
Temperature settings	°C 30-85	30-85
Mixed water volume at 40 °C	L 10	19
Water connection	G 3/8 A	G 3/8 A
Max. appliance permissible pressure	kPa 0	0
Max. tapware permissible pressure	kPa 500	500
Standby energy consumption / 24 h at 65 °C	kWh 0.20	0.32
IP rating	IP24 D	IP24 D
Height	mm 421	503
Width	mm 263	295
Depth	mm 230	275
Weight	kg 3.0	4.6
Colour	White	White
Approvals	WaterMark Lic No. WMKA00301. AS3498	

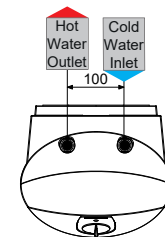
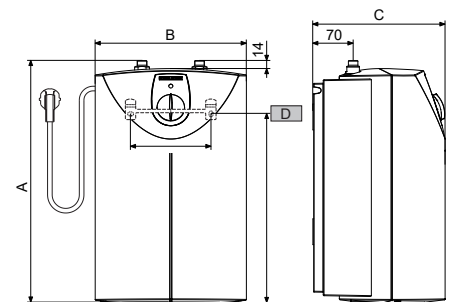
The SNU under sink point of use water heater is open vented and must be installed with a STIEBEL ELTRON open vented tap. Not suitable for installation at a basin as a tempering valve or TMV cannot be fitted with this water heater.



MES

MES-G

MEW



	SNU 5	SNU 10
Height [A]	421	503
Width [B]	263	295
Depth [C]	230	275
Bracket – Height [D]	328	363
Bracket – Hole Spacing [D]	140	200

SNU Dimensions

STIEBEL ELTRON is committed to our policy of continual improvement, some features may have subsequently been changed or even removed. Our advisors will be happy to consult with you regarding the currently applicable equipment features. The images used in this data sheet are for reference only.